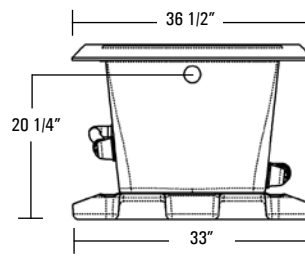
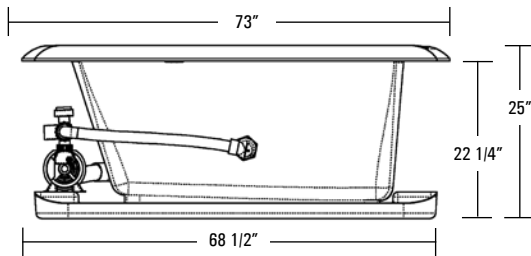
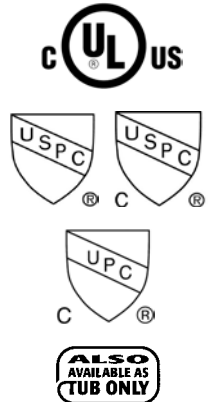
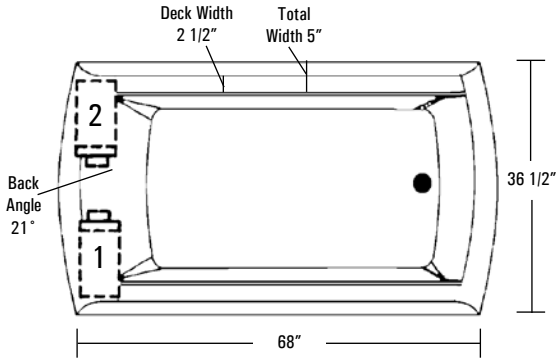
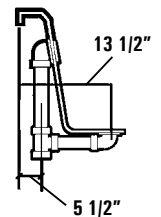


# HOTSOAK 87 MOTIF AQUATIC

**HOTSOAK SERIES** MODEL # A129AIR7236HS / A129AIR7236TO (Tub Only)



**Rough-In Plumbing Measurements**



## SPECIFICATIONS:

### GENERAL SPECIFICATIONS:

Tub Size	73" x 36 1/2" x 25"
	185 cm x 93.3 cm x 63.5 cm
Bathing Well	46" long
	20" wide
	23" interior depth
Maximum Water Depth	17"
Shipping Weight	203 lbs. / 92 kg
Tub Weight Filled	885 lbs. / 401 kg
Tub Only Weight	106 lbs. / 48 kg
Weight w/Equipment	127 lbs. / 58 kg
Gallons to Overflow	91 gal. / 344 L

### ELECTRICAL SPECIFICATIONS:

Pump	1/15 HP; 1.3 AMP; 110V
Heater	1.5 kW; 12.5 AMP; 110V
Requirements	20 AMP; 110V, separate circuit required protected w/ Class A GFCI

*This unit is not recommended for shower installations.*

### STANDARD EQUIPMENT:

#### Aquatic Quality Features:

- 1.5 kW Inline Maintenance Heater
  - Run-Dry Pump with 20-Minute Timer
  - 2 Circulation Portal Covers
  - Bath-Side On/Off Electronic Button
  - "Quiet Pad" Anti-Vibration Pump Mount for Quiet Operation
  - Slip Resistant Floor
  - Extra Deep and Long Bathing Well
  - Pre-leveled ABS Support Base
  - Heat-bent Rigid PVC Piping for Optimum Sanitary Conditions
  - Durable, Easy to Clean, Lucite® Cast Acrylic Surface
  - Available in 8 Standard No-Charge Colors
- UL & IAPMO Listed, Factory Tested**  
**Limited Lifetime Warranty**

### OPTIONAL EQUIPMENT:

- Chromatherapy\*
- Comfort Pillow - Oval or Rectangle
- Bolt-On Grab Bar
  - White, Biscuit, Chrome, Polished Brass, Gold, Polished Nickel, Satin Nickel or Oil Rubbed Bronze
- Lift & Turn Waste and Overflow
  - Chrome, Polished Brass, Gold, Polished Nickel, Satin Nickel or Oil Rubbed Bronze
- Cable Drive Waste and Overflow
  - Chrome, Polished Brass, Gold, Polished Nickel, Satin Nickel, Oil Rubbed Bronze or Color Matched (Bone, White and Biscuit Only)
- Optional Pump Location
- Premium Colors

*All acrylic colors featured by Aquatic match the industry's leading fixture manufacturers.*

*\*This whirlpool will need to be hard wired to the breaker box. Three outlets will be supplied on the whirlpool.*

**Fax-On-Demand  
Document #1304**



The manufacturer accepts a 1/4" variance. There are variations on each tub and specifications are subject to change as we improve upon our product as required. The dimensions needed for site preparation and structure building should be measured from the tub; Aquatic Industries, Inc. assumes no responsibility for preparatory work.